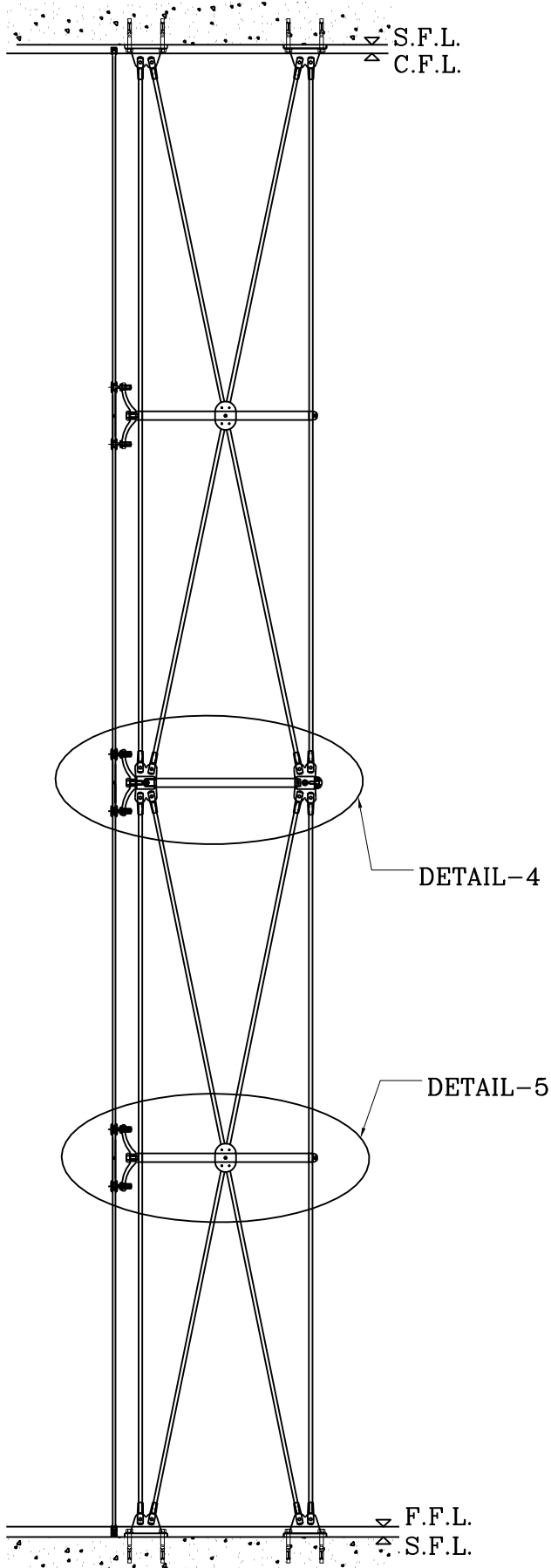
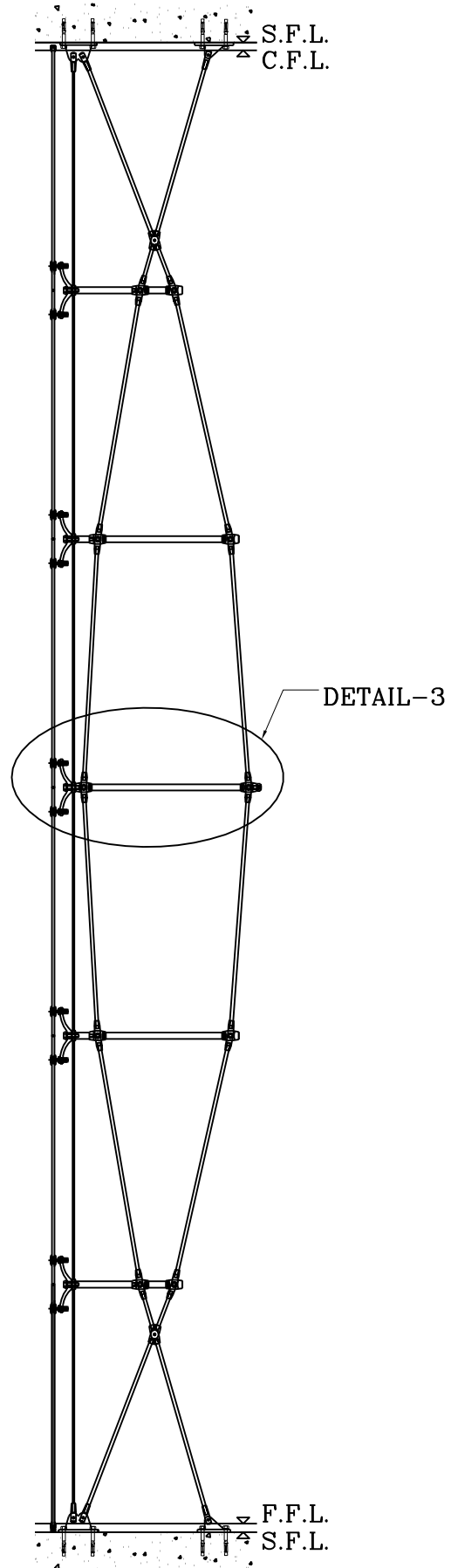


# TENSION ROD SYSTEM



Type: T3



Type: T4