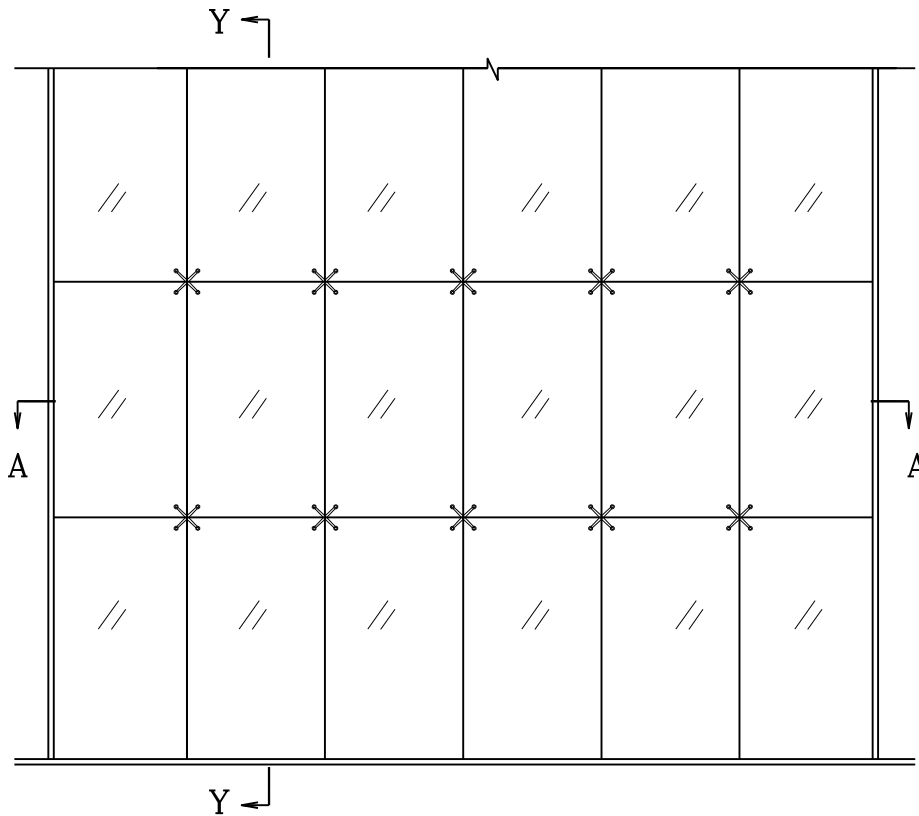
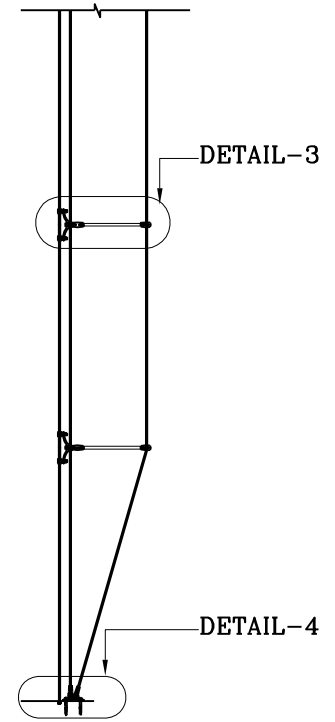


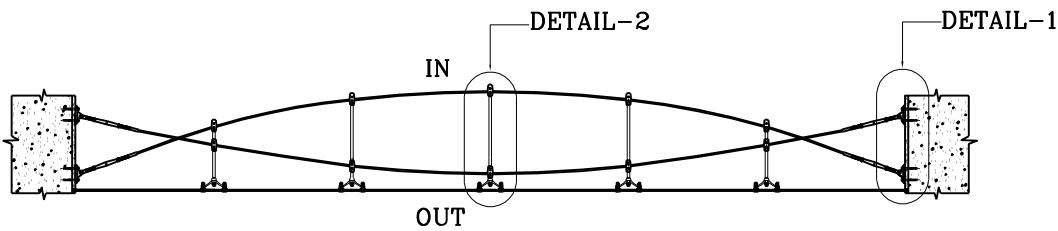
CABLE STRUCTURE SYSTEM



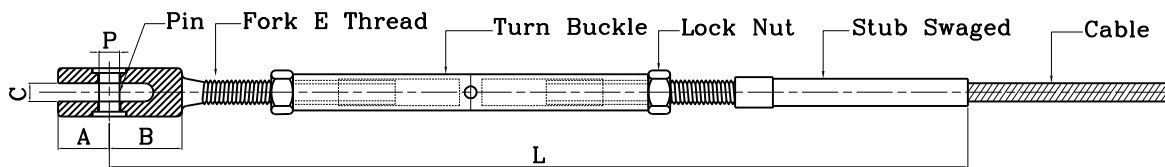
ELEVATION



SECTION Y-Y



SECTION A-A



	Cable ϕ (mm)	L(mm)	Adjustment		A(mm)	B(mm)	C(mm)	P ϕ (mm)	Design Max. Load(KN)
			+(mm)	-(mm)					
1)	10	450	60	90	18	32	16	16	63.5
2)	12	540	80	105	22	38	19	19	92
3)	16	720	100	120	29	50	25	25	175
4)	19	820	110	130	32	58	28.5	28	225

LENGTH IS CALCULATED WITH TENSIONERS IN HALF OPEN POSITION
P.S. MEASUREMENT SHOWN ABOVE AS A GUIDE ONLY